

PRESSURE REDUCING VALVE FOR WATER

EUROBRASS 143 FF PN25



Direct acting pressure reducing valve piston operating with pressure compensation system

Main body and components made in brass alloy in conformity to UBA

PN 25 – Max inlet pressure 25 bar

Outlet pressure range 0,5 – 6 bar (1,5 – 6 bar sizes higher than 1")

Factory setting 3 bar

Maximum working temperature: 80° C

Stainless steel seat

Stainless steel bar (sizes higher than 1")

NBR rubber parts

Designed for use with water and air

Pressure gauge connections ¼"

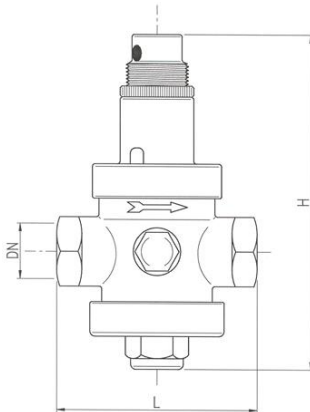
Threaded FF ISO 228 – also available NPT

Available sizes: from 3/8" (DN10) to 4" (DN100)

External sand blasted brass or nickel plated

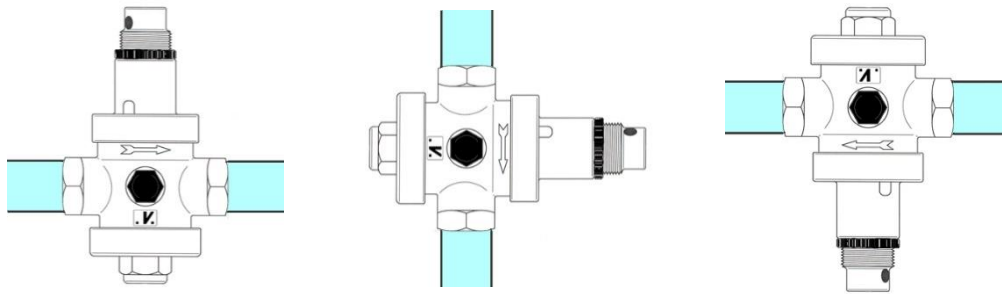


conforme
DM 174/2004



Item N	Size	DN	H mm	L mm	Weight Gr
143.38	3/8"	10	120	75	800
143.12	1/2"	15	120	75	790
143.34	3/4"	20	150	85	1.130
143.33	1"	25	160	90	1.340
143.114	1 1/4"	32	220	115	2.090
143.112	1 1/2"	40	220	125	2.180
143.58	2"	50	250	140	3.100
143.160	2 1/2"	65	260	148	4.100
143.80	3"	80	285	177	5.520
143.100	4"	100	310	190	6.970

INSTALLATION GUIDELINES



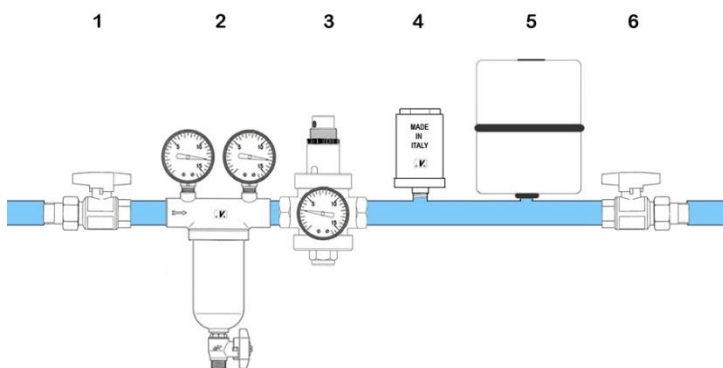
The pressure reducers EUROBRASS 143 don't get the effects, in their functioning, of gravity force; therefore they can be installed in the plant in any position:

Pressure reducing valves can be damaged by dirty water; therefore we advise to install a self-cleaning filter upstream before the pressure reducer, in order to protect the valve and any other mechanism (thermostatic mixers, taps, etc.).

When there is a device which produce or store hot water or pipes are exposed to sudden changes in temperature, an increase of outlet pressure may occur; this event is due to the raise in pressure that follows the temperature rising: an expansion vessel between downstream the pressure reducing valve will avoid this problem.

We recommend moreover to install a Stopshock valve to prevent water hammer which would damage the inner parts of the pressure reducer and other devices in the waterworks

Schema raccomandato per l'installazione dei riduttori di pressione:



- 1 – ball valve

- 2 – Self-cleaning filter

- 3 – Pressure reducing valve

- 4 – Water hammer absorber

- 5 – Expansion tank

- 6 – ball valve



All Malgorani pressure reducers are tested before being packaged; during the proof they are pre-set at the outlet pressure of 3 bars; outlet pressure can be easily adjusted once the pressure reducing valve is installed on site.

In order to modify the outlet pressure, once removed the seal, you should only loosen the fixing ring and turn the spring holder as indicated in the pictures sequence. By turning clockwise the pressure increases, while counter-clockwise the pressure decreases. A right setting should be made while the plant outlet is closed.

⚠WARNING: Installation or any change of outlet pressure must be performed by qualified personnel.

? for full datasheet or technical information: info@malgorani.it

